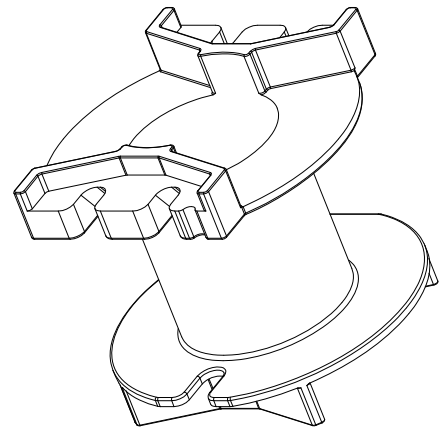
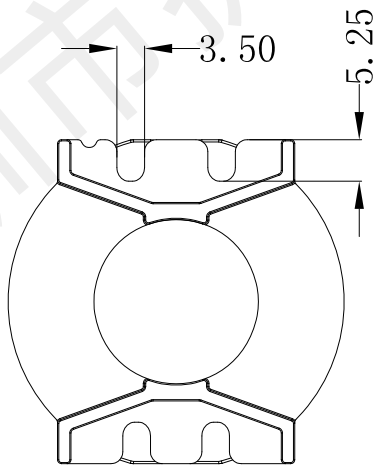
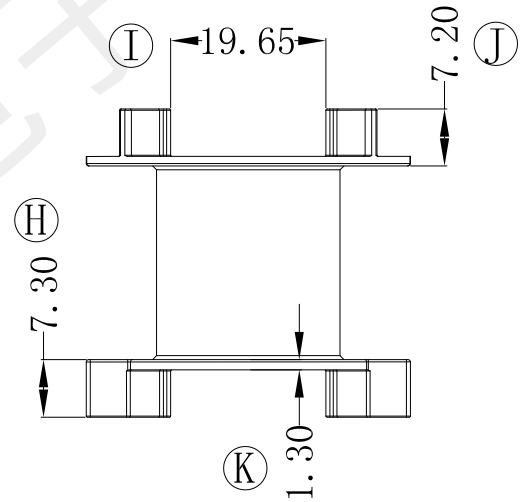
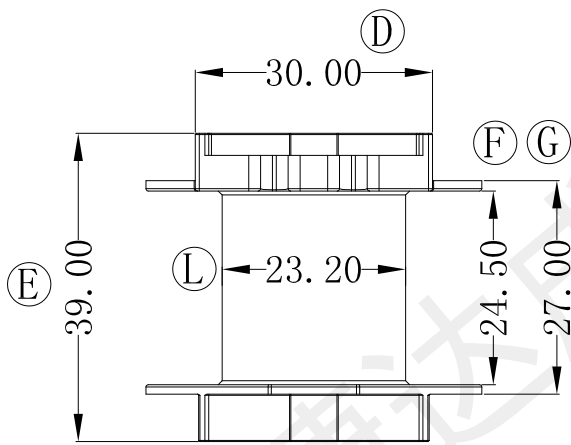
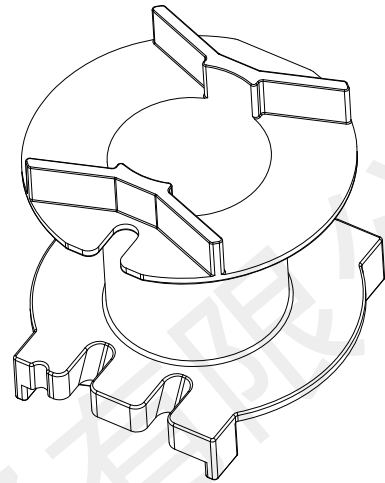
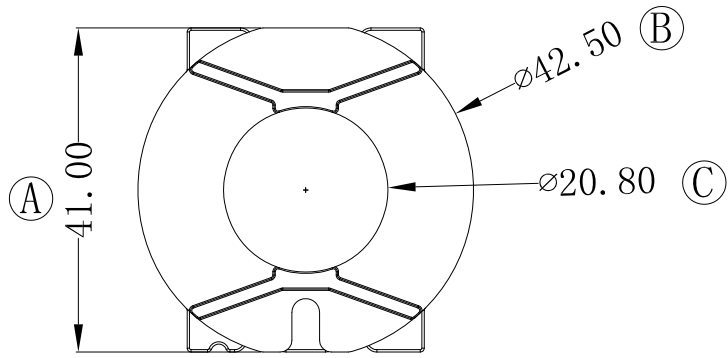


型号

PQ-5042



深圳市捷达成电子有限公司

SHANZHEN JIEDACHENG ELECTRONICS CO., LTD.  
TEL: 0755-27317730 FAX: 0755-27317731

ANGLE:  
+/-1°

MODEL NAME:  
PQ-5042

UNIT:  
MM

UL REC:  
UL 94V-0

BOBBIN MATERIAL:  
PM-9823

DRAFTER L.R.J

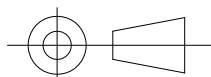
TOLERANCE  
0<L<4 ±0.1  
4<L<16 ±0.2  
16<L<50 ±0.3  
PIN PITCH ±0.2

SCALE:  
4/1

PIN TENSION LOAD:

PIN MATERIAL:

CHECKER Y.F.



DATE:  
2018-06-20

DRAWING NO:  
PQ-5042

REV:  
1.0